

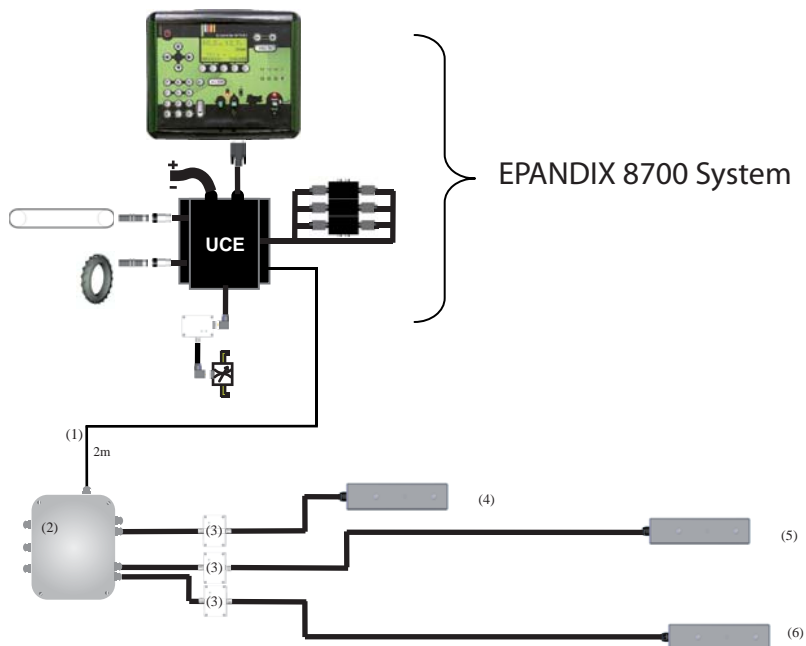
Weighing for EPANDIX 8700



Static weighing option for spreader application rate control system

Features:

- Weighing information displayed on the screen of the application rate control system.
- Estimation of weight loaded in the spreader bucket by strain sensors
- Static measurement done when the machine is stopped (no motion)



Equipment content :

- (1) Link cable to the EPANDIX 8700 ECU
- (2) Signal acquisition module for weighing
- (3) Strain sensor signal conditioner
- (4) Trailing beam strain sensor
- (5) Right axle strain sensor
- (6) Left axle strain sensor

08/2009